

**SICOL** **TECHNOLOGY**  
Your Trusted Partner

# Sicol Technology Engineering Support Sites



- Office and Operation
- Supporting Operation

# About us.....

Sicol Technology was established in 2008, started with a machine house in China, Shen Zhen Industrial Park, specializes in designing and developing fully automated / semi-automated equipment, inspection machines, production line fixtures and fabrication of precision parts.

In 2013, Sicol Technology further expanded and operates within a close-knot regional network in China & Asian (Singapore) supported by strategic business units and sales offices.

Sicol Technology offers a comprehensive range of products which include logistics solution systems, industrial automation production equipment, image detection technology, precision test equipment and sourcing services.

Efficient business operations are driven by professional engineering & management team. We commit ourselves in constant improvement and challenges in relative field. Long term investment in people leads to the deep collaborating relationships with leading institutions of higher learning. We strive to build a team that is empowerment, dedicated to self-improvement and professional growth which enables us to execute with excellence across a flexible, scalable global system that delivers superior operational performance and optimal results for our customers.

# Company Background

|                             |  |
|-----------------------------|--|
| Headquarter                 | : <b>SHENZHEN SICOL INDUSTRIAL LTD.</b>  |
| Address                     | : #108 XingYue Building, ShiChang RD, ShiGuan Industrial Park,<br>DaLang Community, LongHua New District, ShenZhen City,<br>GuangDong Province, PRC 518109   |
| Singapore Office            | : <b>SICOL TECHNOLOGY PTE LTD.</b>   |
| Address                     | : 1 Soon Lee St #03-34, Pioneer Centre Singapore 627605  |
| Tel No                      | : +86 0755-29019741 / 42, +65 6681 6464,   |
| Website                     | : <a href="http://www.sicol.com.sg">www.sicol.com.sg</a>   |
| Enquires                    | : <a href="mailto:Enquiries@sicol.com.sg">Enquiries@sicol.com.sg</a><br>: <a href="mailto:LY_Chen@sicol.com.sg">LY_Chen@sicol.com.sg</a><br>: <a href="mailto:qin_yuhua@sicol.com.sg">qin_yuhua@sicol.com.sg</a> |
| Company Premises            | : 3000 + 1700 Square Feet (Combined)   |
| Team                        |  |
| •Finance / Sourcing / Admin | : 3  |
| •Sales / Marketing          | : 2  |
| •Design / Engineering       | : 18   |

# Core Values

## **Customer satisfaction is our top priority**

- We believe that long term customer satisfaction is the cornerstone of our success. We are resourceful and adaptable, and we achieve results faster than our competitor. We effectively collaborate, always looking for more efficient way to serve our customer through world class integrated solution & value added project segment.

## **Commitment towards quality performance**

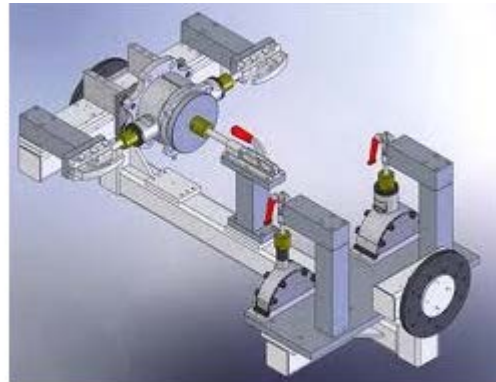
- We are attaining up to date technological capabilities and creating value added process to meet the challenge of our future. Commitment to actively pursue market leadership by being dynamic, highly responsive and customer oriented, delivering quality through excellent products, service, cost and on time delivery.

## **Our business partners**

- Our strategies business partnership with customer ,vendor, suppliers all contribute to our business values. We must nurture and growth these relationship by conducting our daily business in a respectful, honest and competitive manner. We want to foster relationship based on mutual respect, trust and confidence which leading to long term partnership.

# Design Capability and Engineering Support

- ❑ Factory automation, jig and fixture design and optical vision inspection
- ❑ Full system development (Electronics and Mechanical)
- ❑ Competitive pricing and on time delivery
- ❑ Quick turn capability
- ❑ On site support for all production phases
- ❑ Excellent after sales services & 24 hours standby support on request



# Design Capability and Engineering Support

## **Mechanical Engineering – Factory Automation, Jig & Fixture Design and Fabrication**

- Factory automation, fabricates process / assembly jig and fixtures
- Machine and equipment design and fabrication
- Reliability system design and fabrication
- Reverse Engineering

## **Electronics System Test Development and Test Integration**

Our strong and experiences hardware design team able to design varieties of circuitries, from simple relay controller, multiplexer, analog and digital circuits to complex microprocessor base system to meet customers' requirements.

## **Test Software Development**

Provides customers with turnkey solutions, Sicol has a group of experienced and qualified programmers that expert in embedded system and PC programming.

- Designs, builds, tests, installs and supports the test systems
- Design For Test Consulting, provide test coverage and access analysis
- Design and develop of test software using NI Labview or VB.
- Design and fabricate of custom mechanical & automation system

# Film Heat Staking Machine – Year 2019 Highlights



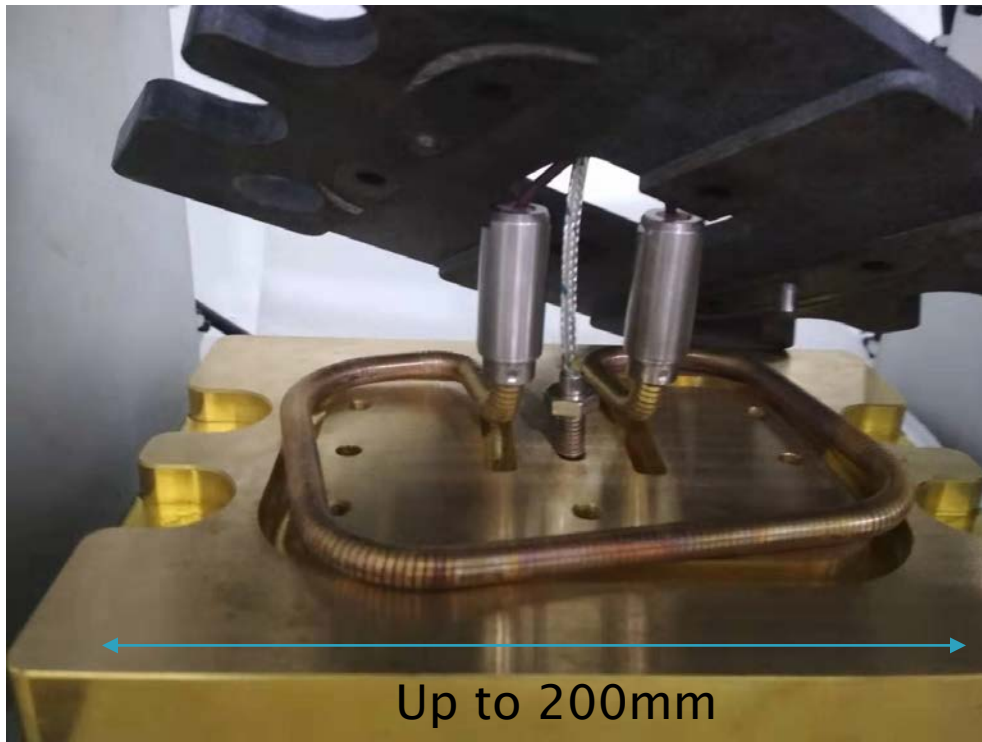
## Specification

1. Large compression surface area with tight parallelism tolerance
2. Temperature control uniformity up to  $\pm 3^{\circ}\text{C}$  (Grade A controller)
3. In-house designed heating element to achieve heat uniformity across large compression surface area
4. In progress of adjusting critical process parameters by conducting design of experiment (DOE)



## Film Heat Staking Machine – Year 2019 Highlights

- Large compression surface area
- Uniquely designed heating element



# Film Heat Staking Machine – Year 2019 Highlights

## Film Cutter Design



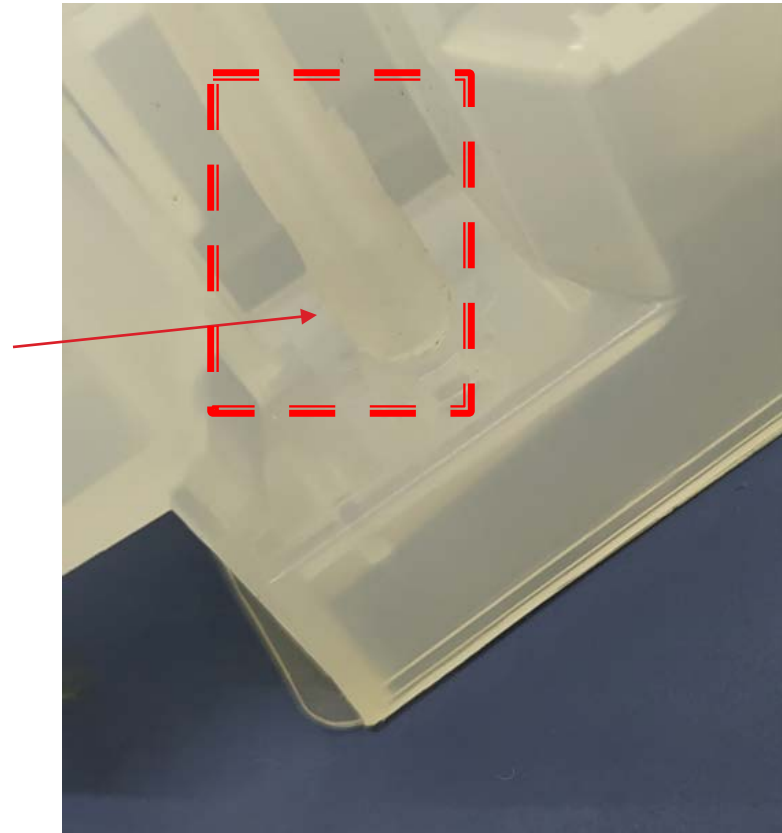
## Tube Setter Machine – Year 2019 Highlights



# Tube Setter Machine – Year 2019 Highlights

## **Specification**

1. Automatic alcohol dispensing function
2. Automatic silicon tube insertion function
3. Manual Pre-intubation function



# O-Ring Assy and Lubrication Machine – Year 2019 Highlights

## Specification

1. Automatic part lubrication function
2. Automatic elastomer insertion function
3. Retrofitted with 2 set of Automatic feeders
4. Robot arm manipulator to pick and place part onto storage tray
5. Vision inspection system to ensure zero escapee rate
6. Capable of running UPH > 1200



Robot Arm and Vision Inspection System



## O-Ring Assy and Lubrication Machine – Year 2019 Highlights



Robot Arm and Vision Inspection System

# Tester and Equipment



# Our Valuable Customers



**FLEXTRONICS**



**JABIL**



**DELPHI**

**FOXCONN®**

**Hisense 海信**



# Business partners & Alliances

**Rockwell**  
Automation

**OMRON**  
*Sensing tomorrow™*

**KEYENCE**

**SIEMENS**

**SICK**  
Sensor Intelligence.

**FE 富士电机**  
Fuji Electric

**Schneider**  
Electric

**MITSUBISHI**  
ELECTRIC



Thanks for your support!